

Zoom lens

**Description**

This zoom lens is designed for use with a Panasonic's applicable projector. The lens makes it possible to vary the projection distance by changing the focal distance.

**NOTE:** Please use the lens only on the specified Panasonic projectors.

**Specifications**

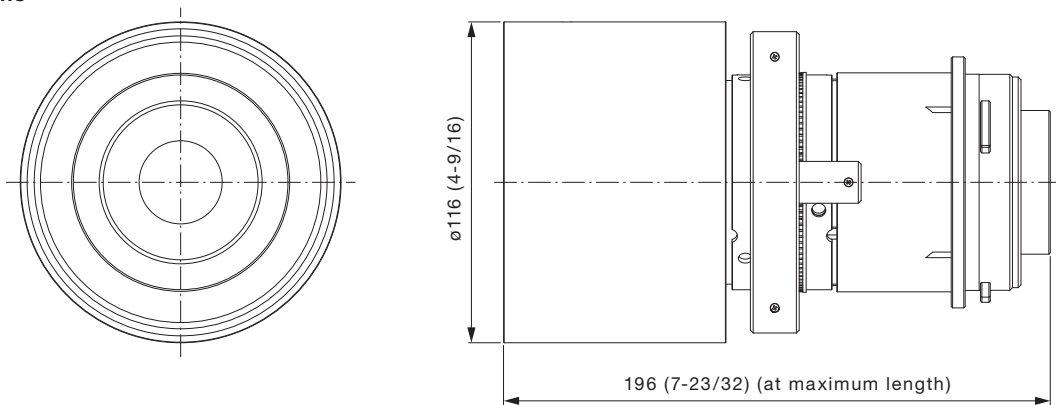
F value:	1.8–2.3
Focal distance (f):	20.4 mm–27.6 mm
Throw ratio:	1.3–1.7:1
Dimensions (W × H × D):	116 × 116 × 196*1 mm (4-9/16 × 4-9/16 × 7-23/32*1 inches)
Weight:	Approx. 1.20 kg*2 (2.6 lbs*2)
Applicable projector:	PT-EZ570 series: PT-EZ570/EZ570L/EW630/EW630L/EX600/EX600L/EW530/EW530L/EX500/EX500L PT-EZ770 series: PT-EZ770Z/EZ770ZL/EW730Z/EW730ZL/EX800Z/EX800ZL

\*1 At maximum length.

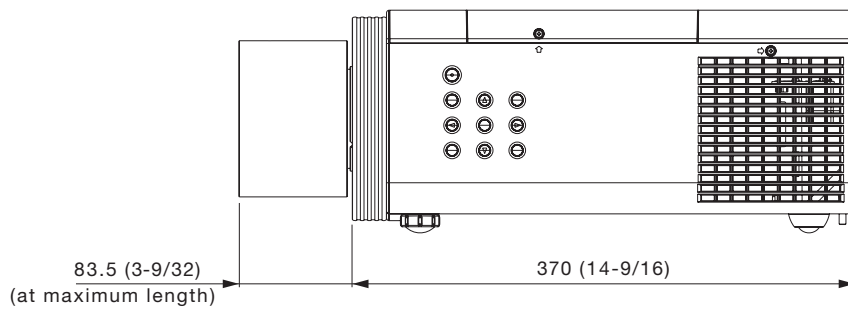
\*2 Average value. May differ depending on the actual unit.

The throw ratio is an approximate value calculated by dividing the screen width by the projection distance.

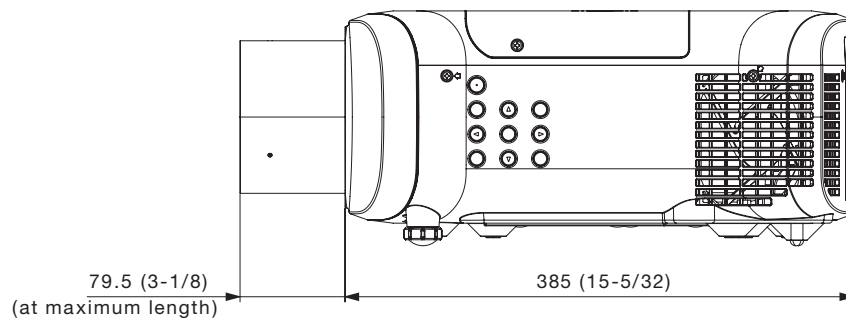
**Dimensions**



The illustration shows the lens attached to the projector.



**PT-EZ570 series**



**PT-EZ770 series**

**NOTE:** Please read the projector's instruction manual for throw distances.

Weights and dimensions shown are approximate. Specifications subject to change without notice.

unit : mm (inch)

**NOTE:** This illustration is not drawn to scale.